

4.1 4.1 4.1

4.1.1 4.1.1 4.1.1

4.1.2 4.1.2 4.1.2

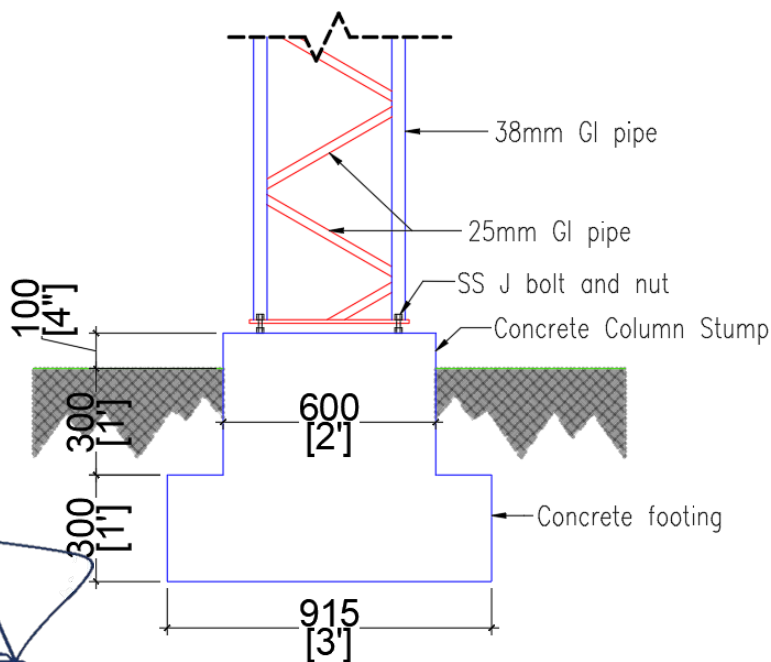
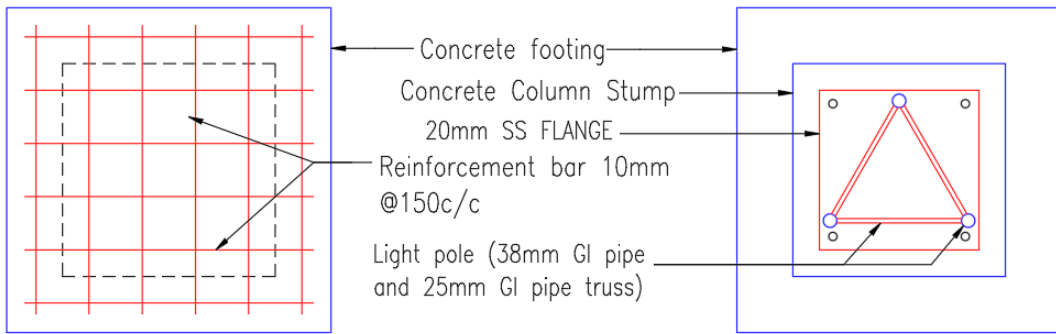
4.1.3 4.1.3 4.1.3

4.1.4 4.1.4 4.1.4

4.1.4 4.1.4

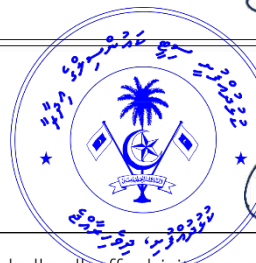
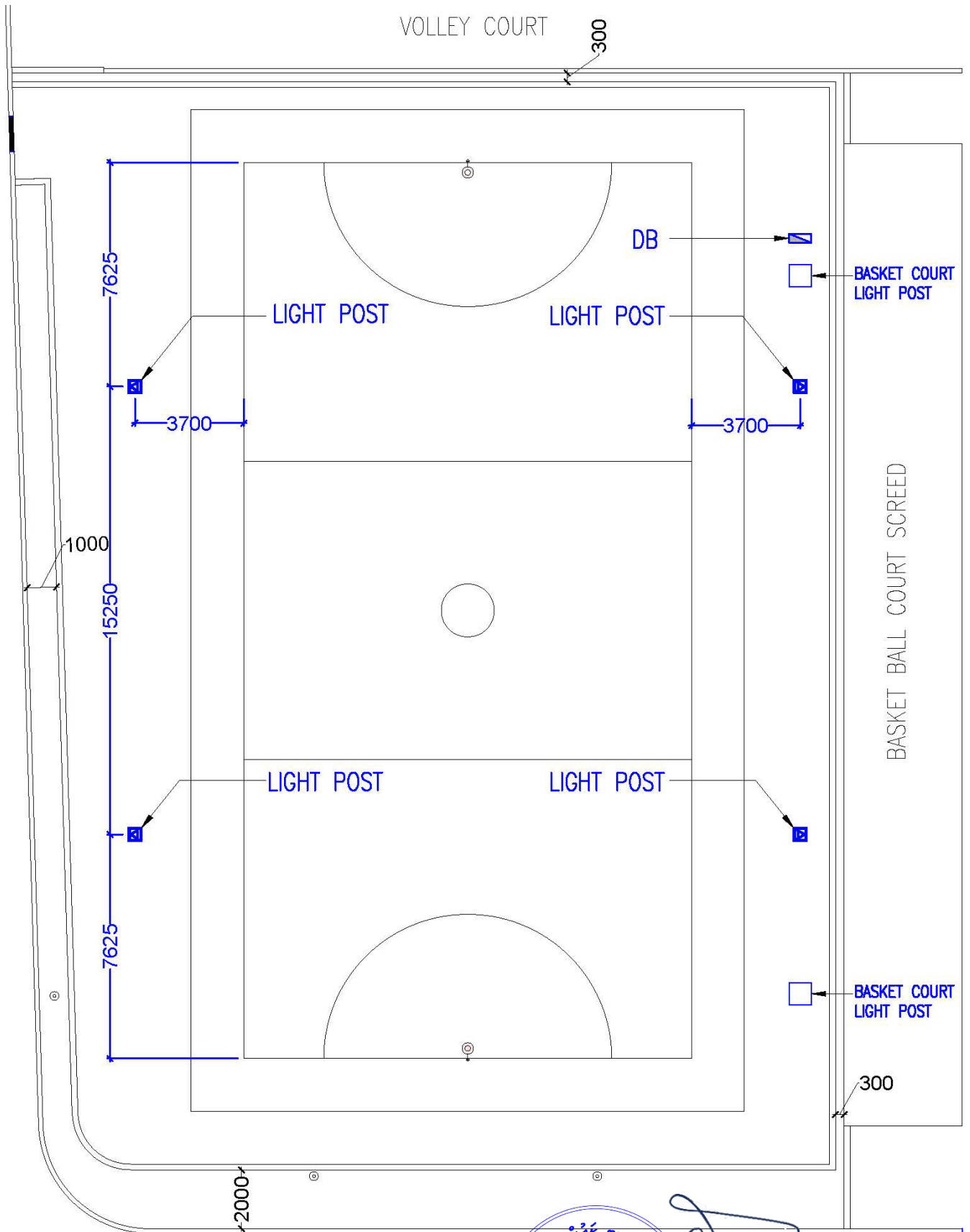
4.1.5 4.1.5 4.1.5

4.1.6 4.1.6 4.1.6



[Handwritten signature]

AMEENEE MAGU



7 16 2022



652 8831



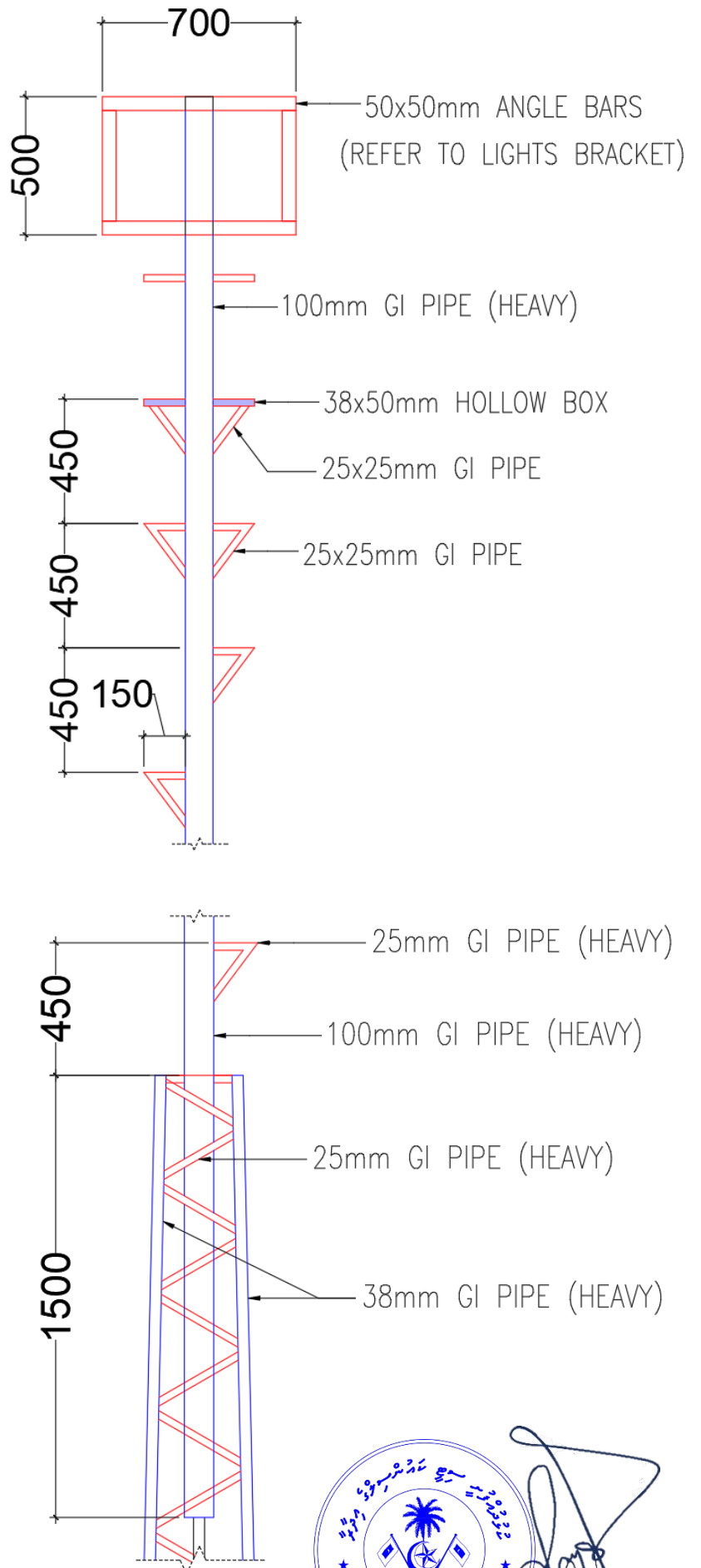
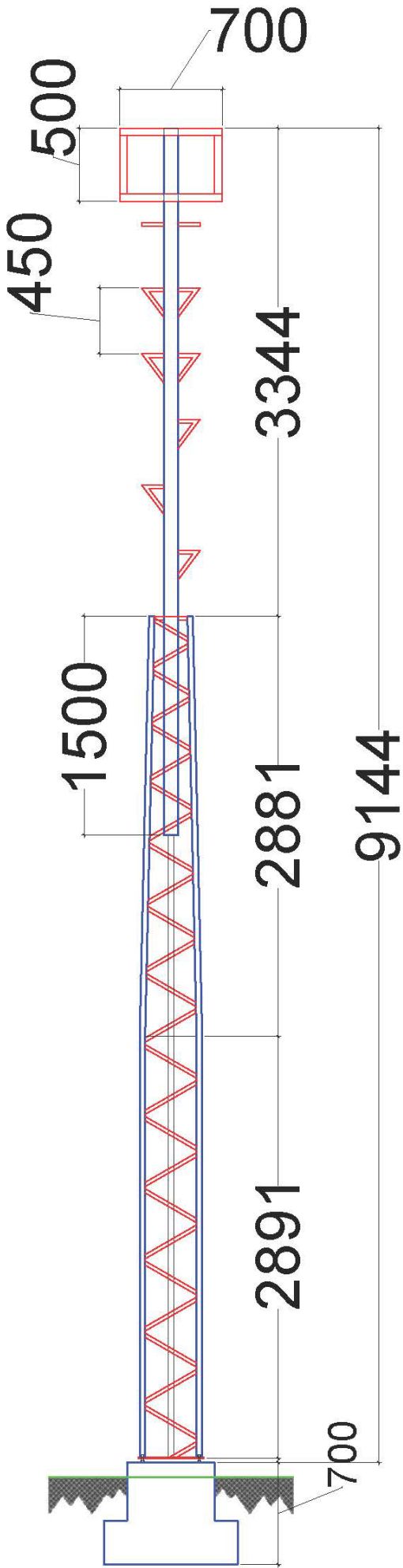
info@kulhudhuffushicity.gov.mv



www.kulhudhuffushicity.gov.mv

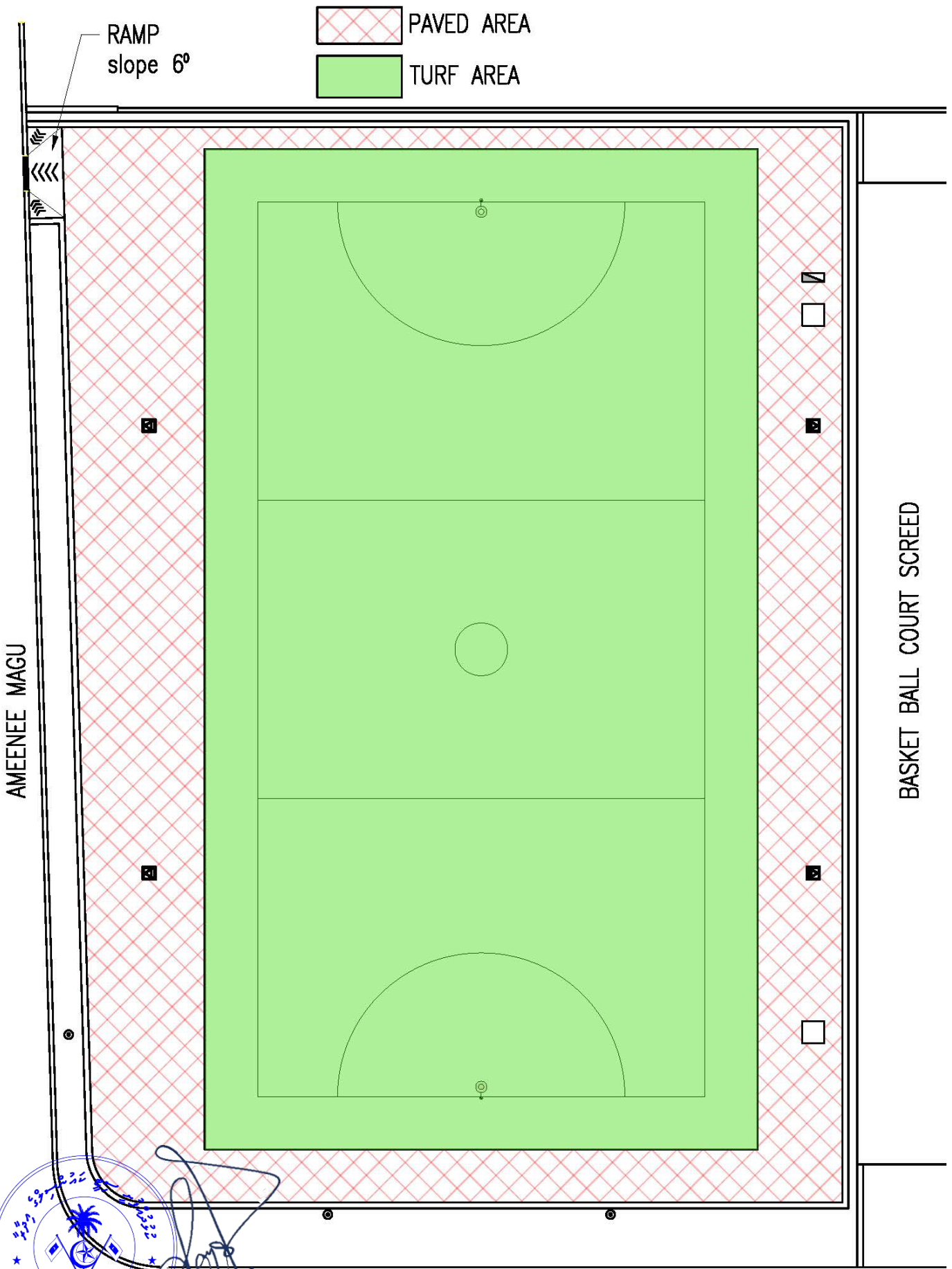


@kfcitycouncil



Handwritten signature in blue ink.

8 16

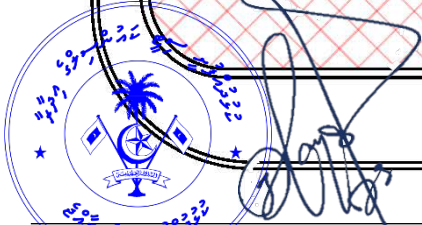


AMEENEE MAGU

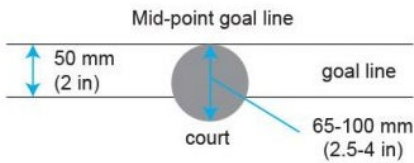
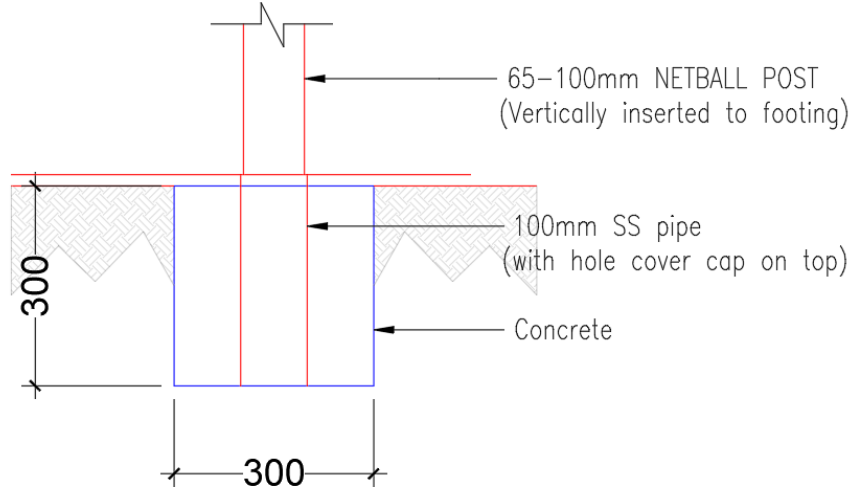
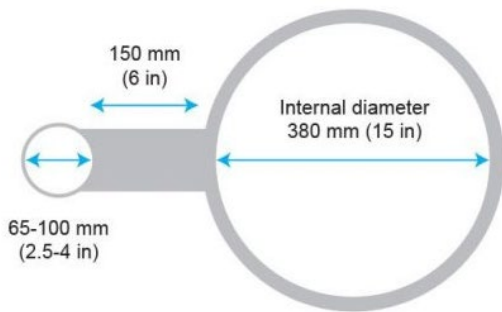
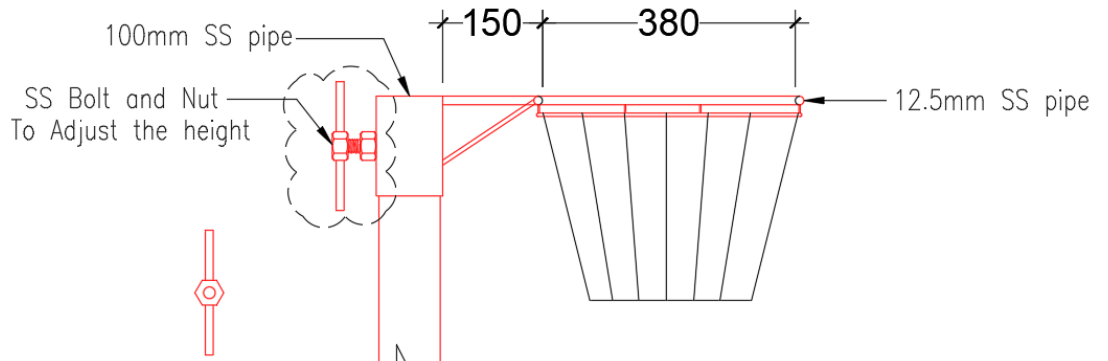
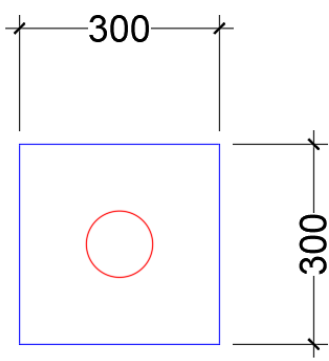
BASKET BALL COURT SCREED

RAMP
slope 6°

PAVED AREA
TURF AREA



12 16 2023



HEAVY DUTY VELCRO



PREMIUM PU FOAM
Tested to ASTM D3574 Standard



PREMIUM YKK ZIPS



- 8.18 6 ڊيگري ٿي ڪري ٿو ۽ ٺهڻ ٿو.
- 8.19 4 ڊيگري ٿي ڪري ٿو. (ٻي ڊيگري 2 ٺهڻ ٿو).
- 8.20 ٺهڻ ٿو ۽ ٺهڻ ٿو (Side Line Team Bench).
- 8.21 ٺهڻ ٿو ۽ ٺهڻ ٿو.
- 8.22 ٺهڻ ٿو ۽ ٺهڻ ٿو.



1. Material: Frame- Aluminium box section.
2. Material: Seat- High Density Polythene.
3. Easy for assembling.



